



BRITISH HOT TUBS

**BHT680L
SWIM SPA**



**Introducing the
British Swim Spa
range - proudly
designed in the UK.**

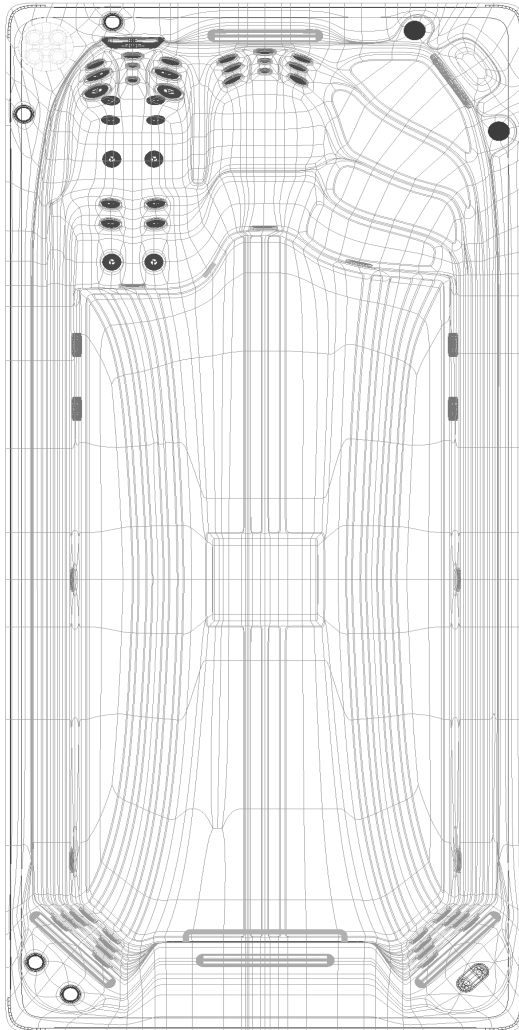
*An appreciation for heritage
without being defined by it,
quirky, stylish and fun.*

Our amazing range of Swim Spas has been designed exclusively for you and your family.

You can choose every zone of your Swim Spa to personalise the perfect aquatic exercise experience.

Exclusively designed in the UK, specifically for our precious customers, and our inclement climate, our exclusive Swim Spa range offers more exercise options, is energy efficient, environmentally friendly and above all – our Award Winning swim spas are the best in the industry.

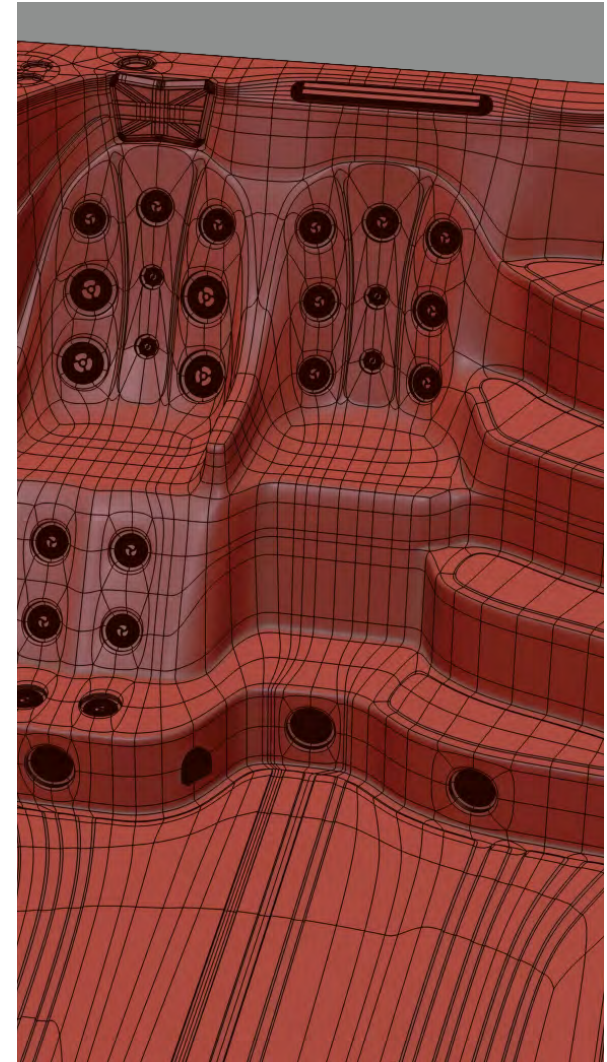
With the addition of the unrivalled Turbine technology, you can benefit from a true swimming experience that can be personalised to suit you!



PROUDLY DESIGNED IN THE UK

We have invested 12 months and a huge budget in creating the right partnership, the right designs and the right processes - this is important to us to ensure that our customers will buy a product that is reliable, safe and energy efficient.

Our range of 13 hot tubs feature the very best available innovations and North American parts and components.



680L LOUNGER

SPECIFICATION

DIMENSIONS:	680 x 225 x 152 CM
WATER CAPACITY:	Approx. 13,953L
WEIGHT:	1,100KG
SWIM JETS:	3 x High Flow River Jets
Electrical:	1 x 32amp
PUMPS:	3 x 3HP + 1 x 2HP 1 x Circulation Pump 1HP
JETS:	43 (40 Hydrotherapy / 3 Swim)
CONTROLLER:	Balboa Touch Screen

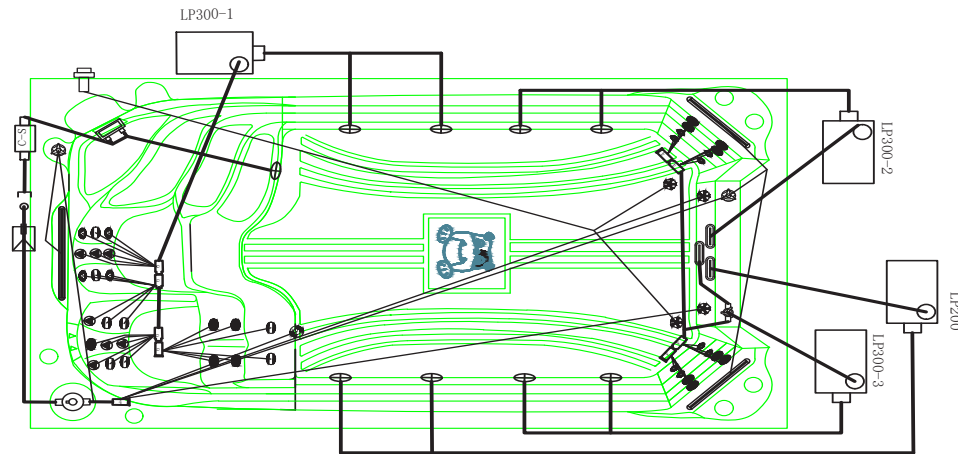


HIGHLIGHTS

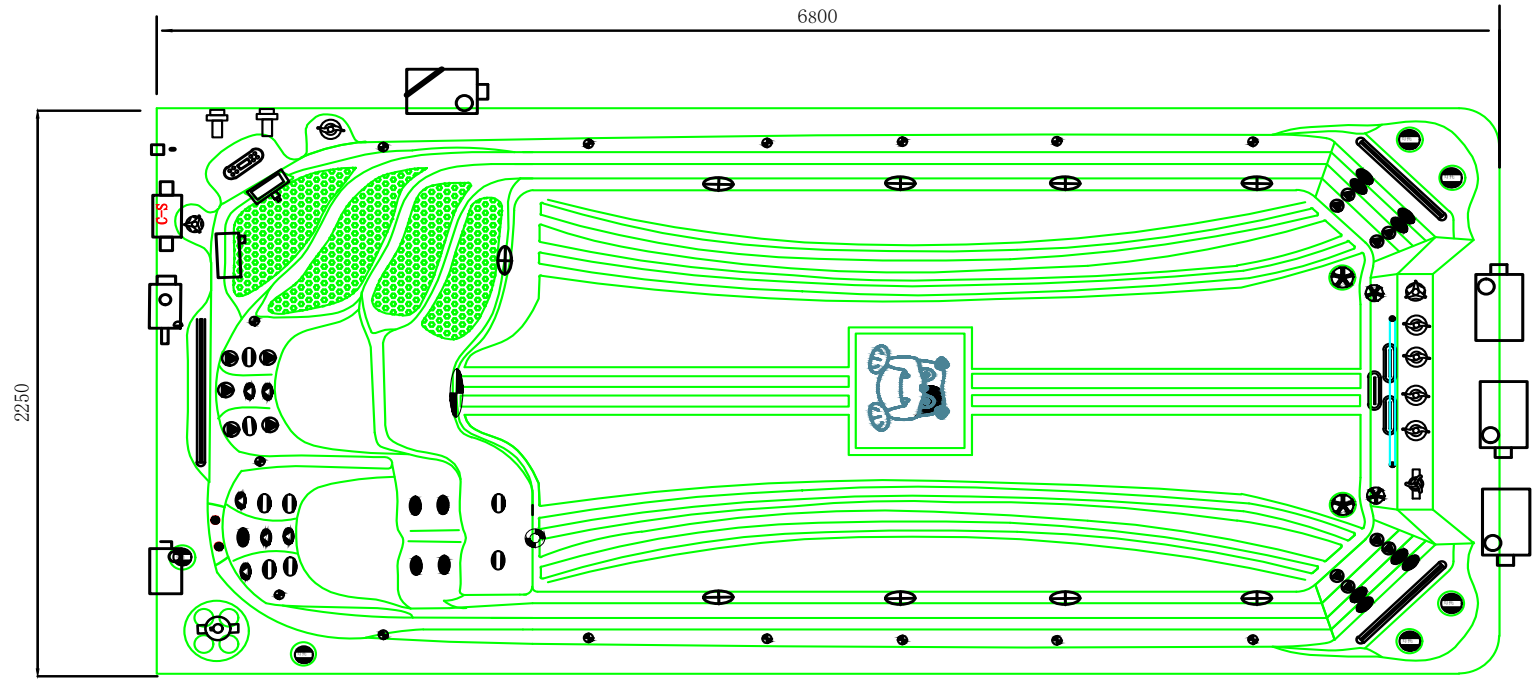
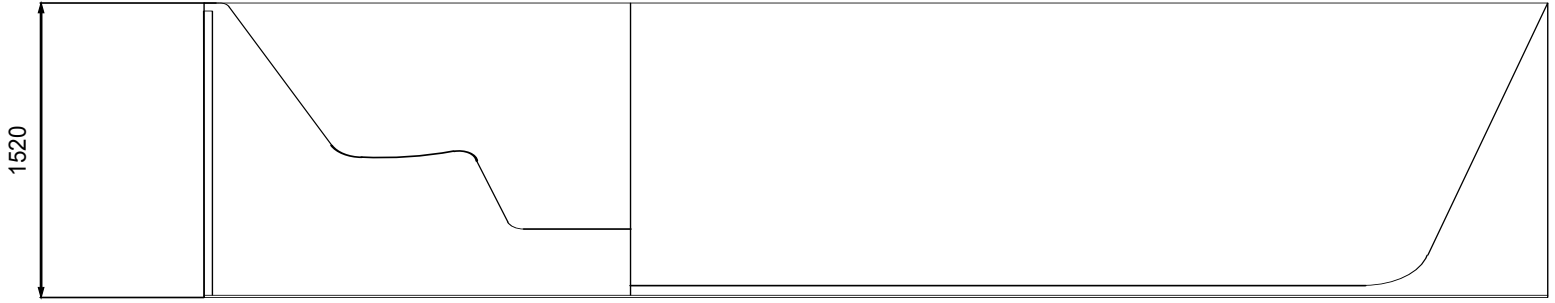
- 3 High Flow River Swim Jets • 2 Hydrotherapy Stand Up Zones
- Exercise Zone • 4 Massage Areas • Pure Zone - Ozone Purification System
- Easy Access Steps and Exercise Area With Non-Slip Design • 3 Waterfalls
- Eco Zone Triple Layer Insulation • Safety Rail • Underwater Lighting
- Levitator Jets - Upstream Bouyancy Swim Technology
- Jet streams at a 45-degree angle from below for a perfect water position
- Highest Quality Control System: Balboa Spa Touch (Touchscreen)
- Fitness Equipment included (Resistance Arm Bands, Row Bars, Adjustable Belted Swim Tether)
- Clear Zone - Easy Clean Commercial Grade Water Filtration System

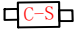
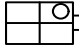
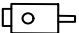

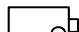
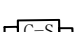


FEATURE PACKED AS STANDARD

Immersed Jet Chambers	Steel Reinforced Spa Acrylic
Safe Skimmer	Adjustable Dial
Tactile Therapy	Titanium Heater
Fast Flow Refill Drain	Freeze Protection
High Power LX Pumps	Quick access Gate Valves
Water Diverters	Heat Pump Ready
Swimming Resistance Pole	WiFi Ready
Thermal Sealed Ultra Locking Cover	Stainless Steel Adjustable Jets
Solid Zone™ - ABS Base	Adjustable and Interchangeable Massage Jets
Solid Zone™ - Galvanized Steel Frame	Easy Access Panel for Service and Maintenance



680L LOUNGER SCHEMATIC

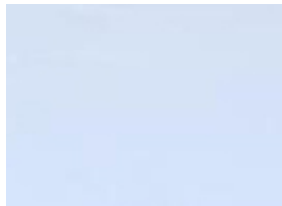


-  Electrical location & supply
1 x 32amp
-  3HP two speed pump
-  750W Circulation pump
-  2HP Single speed pump
-  3HP Single speed pump
-  Electric control
-  Ozonator
-  Drainage

SHELL COLOURS



SILVER WHITE MARBLE



WHITE PEARLESCENT

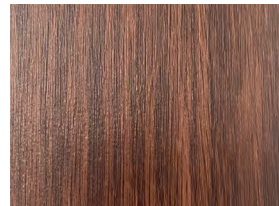


NICKEL

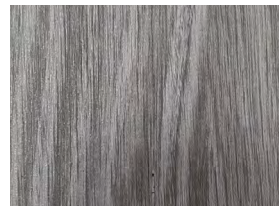
CABINET COLOURS



CHARCOAL

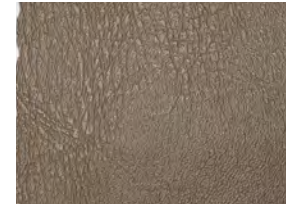


BROWN

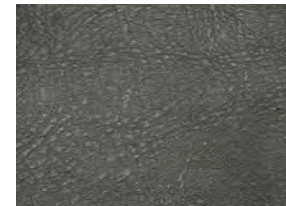


GREY

COVER COLOURS



BROWN



GREY



A BETTER SWIM EXPERIENCE



OPTIMAL SWIM



TRACK YOUR SWIM*

* WITH OPTIONAL SMART SWIM WATCH

(*) only available on the Turbine Swim Spa models.



NATURAL EXPERIENCE



CONVENTIONAL COUNTER FLOW SYSTEM

TURBINE SWIM SYSTEM WITH LEVITATOR JET



AQUATIC EXERCISE



CURL



KICK



ROW



JOG



STRETCH



SWIM



RUN



WALK



WARWICKSHIRE
Spa House,
Watling Street
Dordon
Warwickshire CV9 2PZ
01827 897000



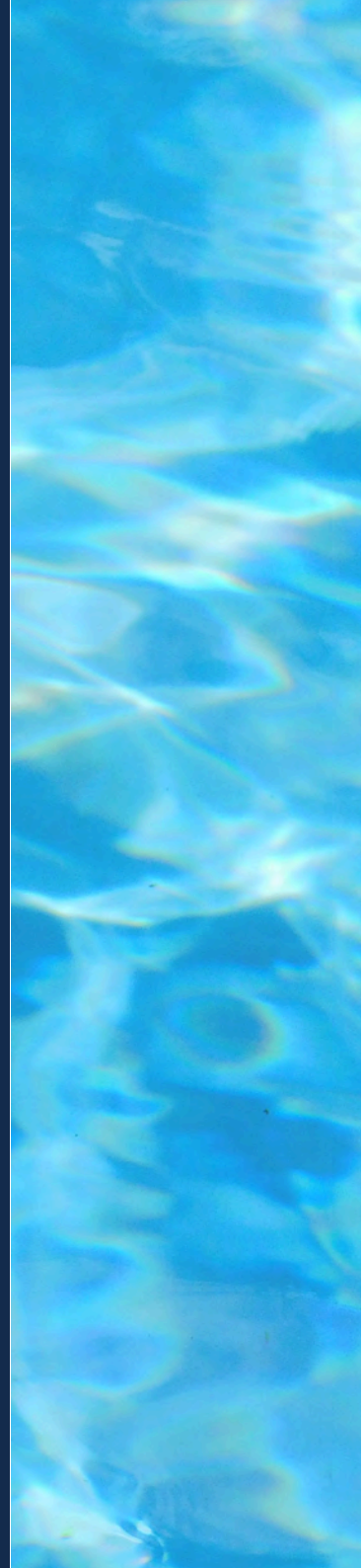
LUTTERWORTH
Coventry Road
Lutterworth
LE17 4JB
01455 558975



CHESHIRE
Mobberley Rd
Knutsford
Cheshire
WA16 8JF
01565 750850



TAKE A WET TEST







www.britishhottubs.co.uk

Due to continuous improvement programs, British Hot Tubs may make product enhancements and modifications that may not be reflected in the shown content/images. Please see your local Dealership for current specifications.